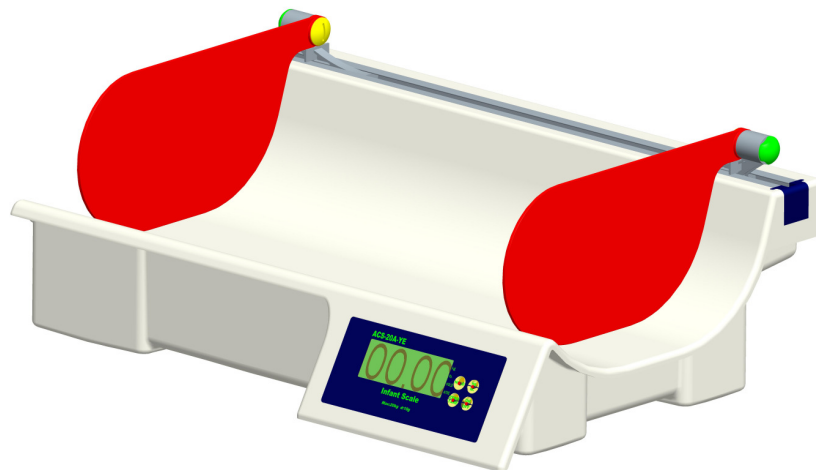


Operation Manual for Electronic Baby Scale



Inseri Modè

Summary

This product is designed for weighting and measuring the baby, and it is now popular in the families, clinics and health cares of women and babies for its high precision and multy functions.

□ Specifications

Max. Capacity: 20kg/44lb	Min. Capacity: 200g
Division: 10g/0.5oz	Class of Accuracy: III
Measuring Length: 56cm/22 in	Division: 1mm/1/16 in
Display: LCD	Working Temp.: 5°C~40°C
Humidity: ≤85%RH	Voltage: DC4.5V~9V
Power: 6F22ND 9V	

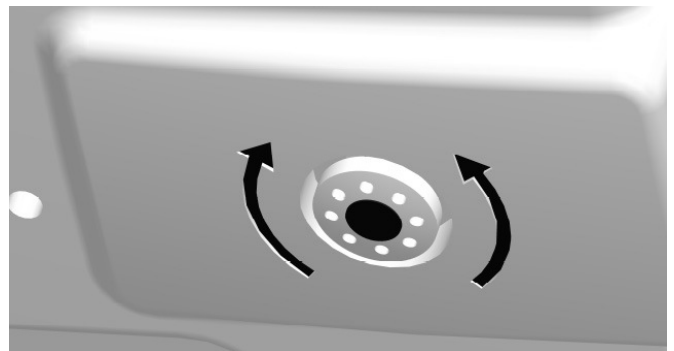
II Key Functions

1. Press **【ON/OFF】** to start the scale when it is powered off while press **【ON/OFF】** to shut it off when it is on.
2. Press **【Kg/Lb】** to change the weight in “lb” when it is weighting in “kg”, contrary, press it again.
3. Press **【HOLD】** when you are weighting, the display will hold for 10 second, then the scale will return to the weighting mode.
4. Press **【ZERO/TARE】** will weight without tare weight.

III Operation Manual

1. First, fix the measuring board to the scale as picture 1 and 2.
2. Cover the battery after it is connected to the connector of the power, and adjust the adjusting foot to balance it.

3. Press **【ON/OFF】**, the scale will display “8888” to “0.00” or “0: 0.0” (if it is the metric system, it will display “8888” to “0.00”, if it is British system, it will display “0: 0.0”). It will show “ZERO” on the right of the screen when it is in the weighting mode, and it will turn off if you press **【ON/OFF】** again.




Picture 3 Adjusting foot

4. Press **【kg/lb】**, the weight will change between the metric system and British system, and “▷” will point to “kg” or “lb”.
5. If the scale doesn't show zero without load, then you should press “ZERO/TARE” to kick out the tare.

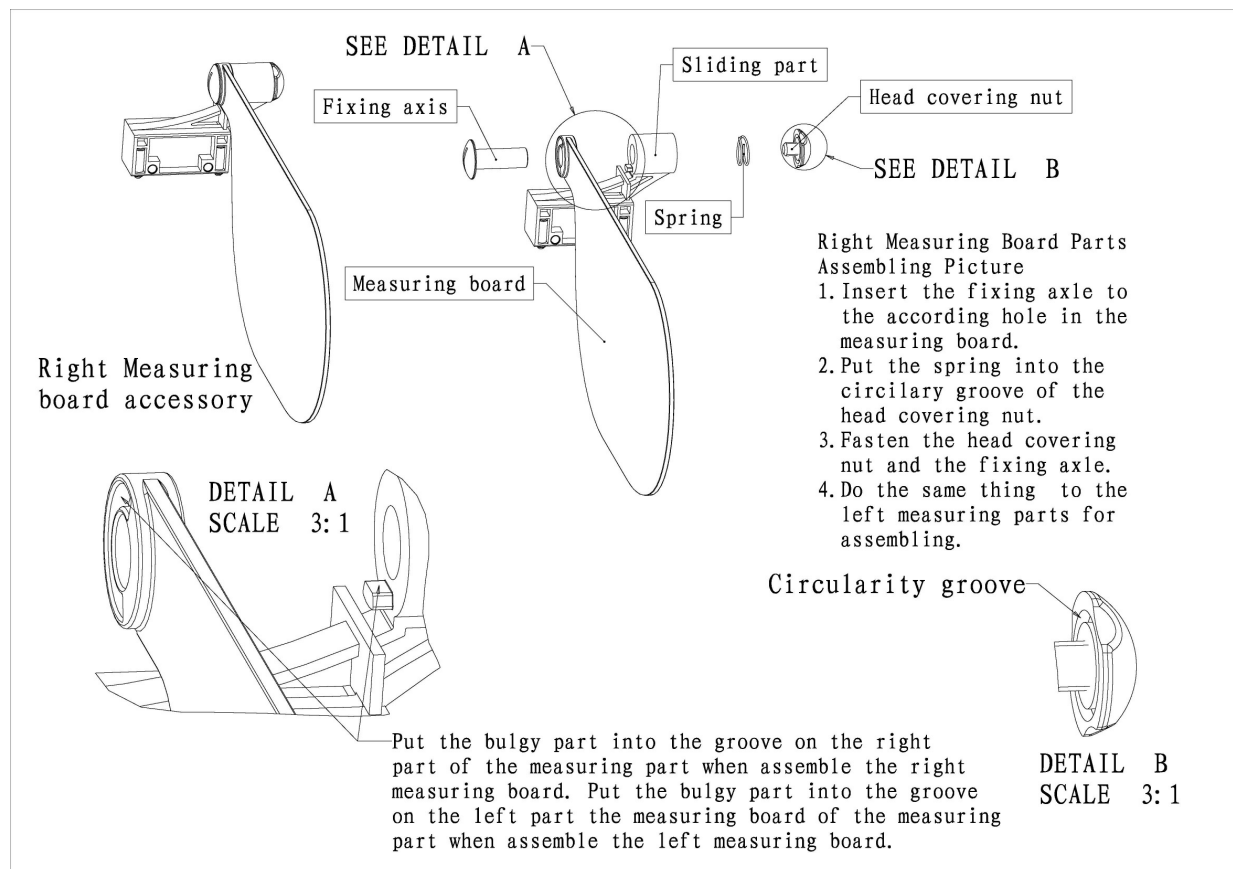
6. Press “HOLD”, the display will show a “▷” pointing to the “HOLD”. The reading will hold for 10 seconds then turns to the weighting mode, and the “▷” will disappear.

7. When you read when measuring the length of a baby, it should be the right reading plus the left reading. See picture 4.

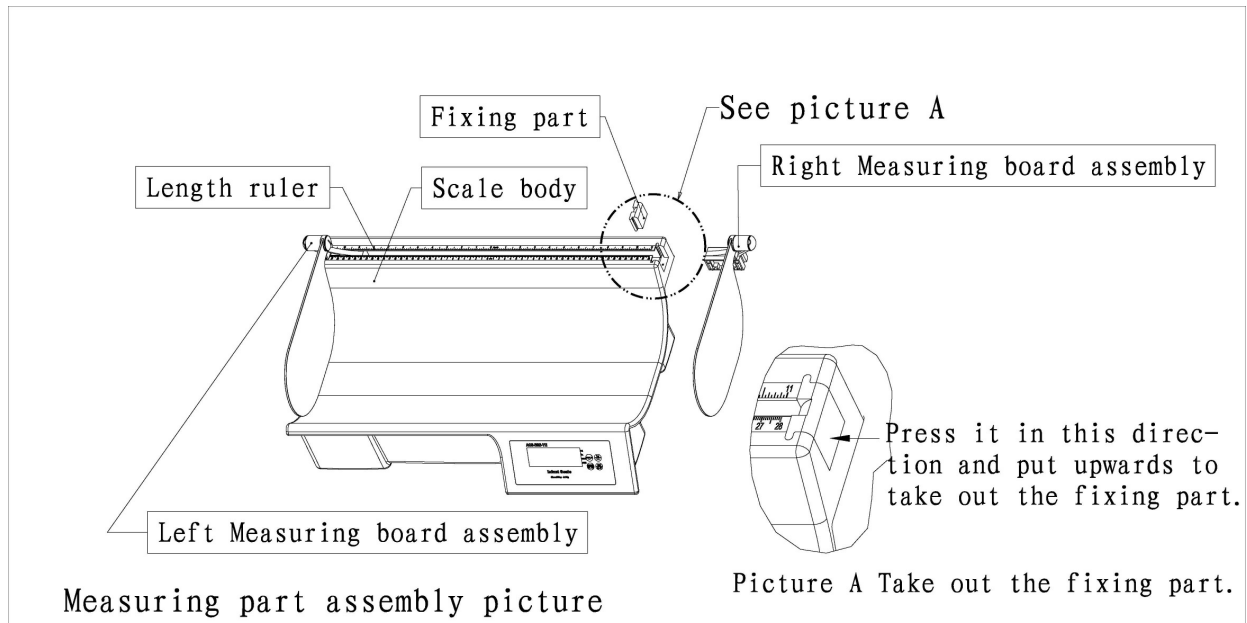
□ **Operation message**

1. The display will be “EEEE” when the weighting something heavier than 20.09kg.
2. When the voltage is lower than 3.0V, it will shows , then you should change the battery in time. When the voltage is lower than 2.7V, it will shows “LO” and turn off automatically.
3. If it shows 【OUL2】 , it means that there is some tares, you should put away the thing on it, if there is nothing, you should change the sensor.
4. If the weight is steady of unload for 3 minutes, the scale will turn off automatically.

The attached is the adjusting method for the errors during weighting. See picture 5.



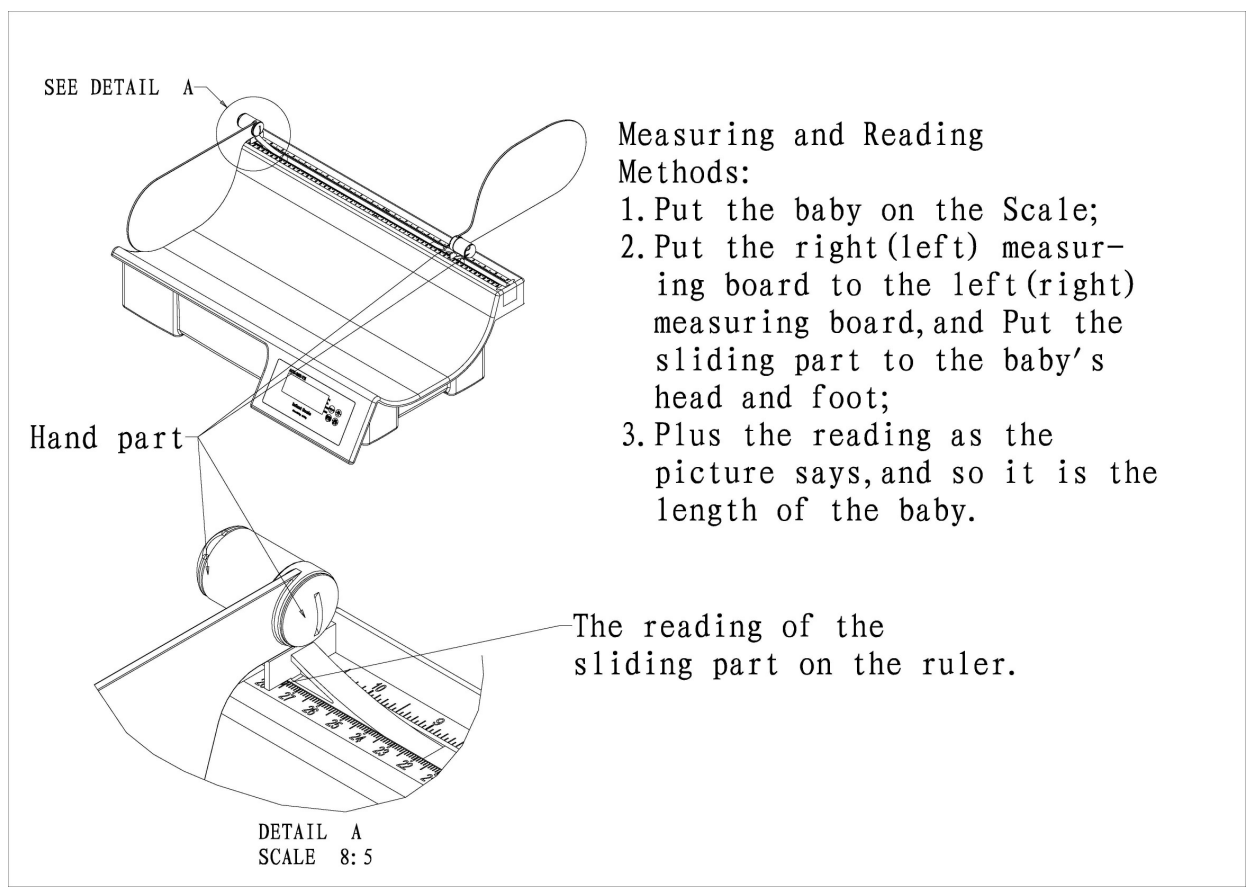
Picture 1 Fix part of the measuring board



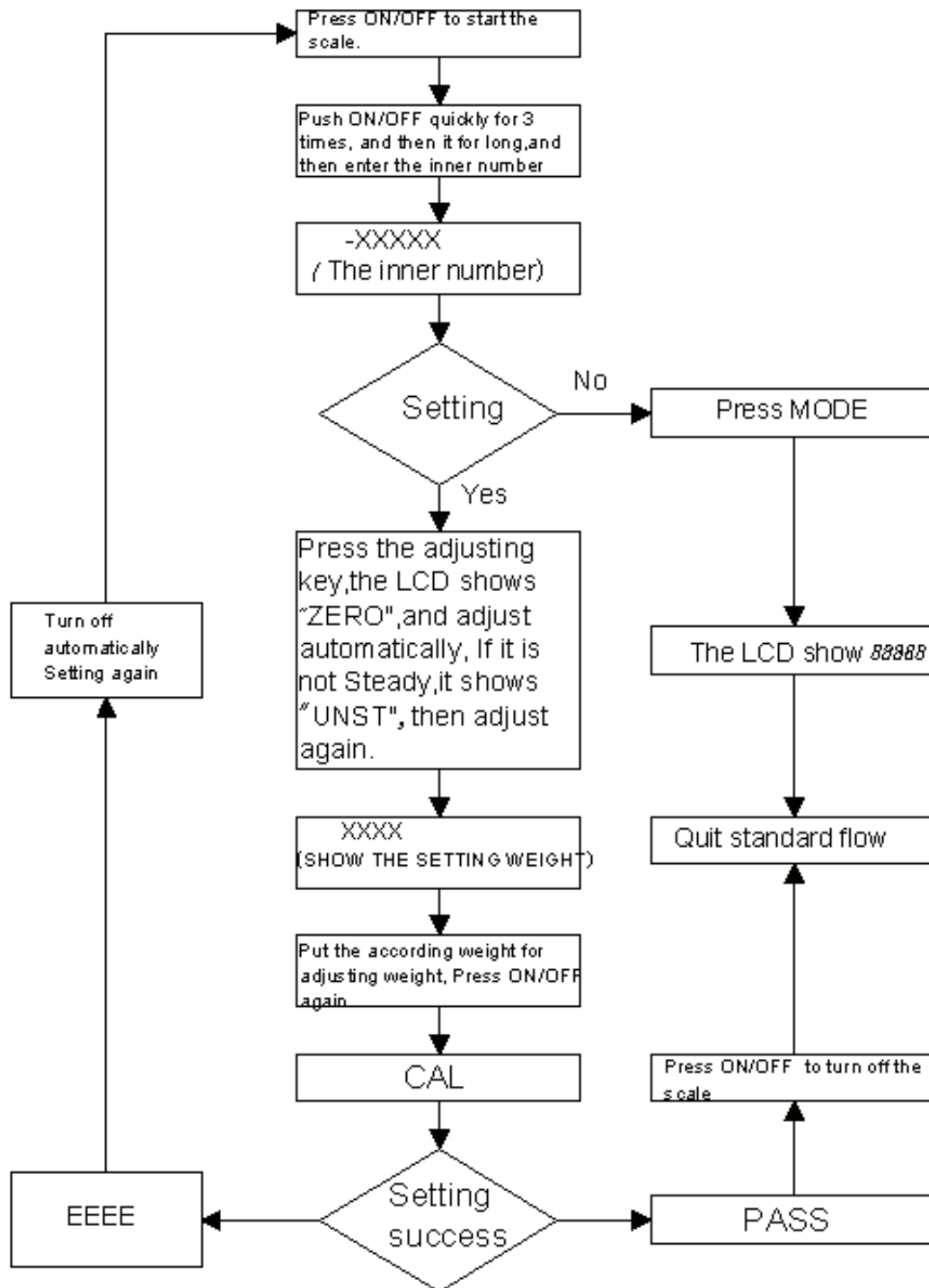
Fixing idea:

1. Take out the fixing part on the right (or left);
2. Put the fixed measuring board in to the groove of the length ruler;
3. Put the fixing part back to its position as well as the fixing hook.

Picture 2 Measuring assembly and fixing picture



Picture 4 The idea of measuring and reading



Picture 5 Calibration of baby scale